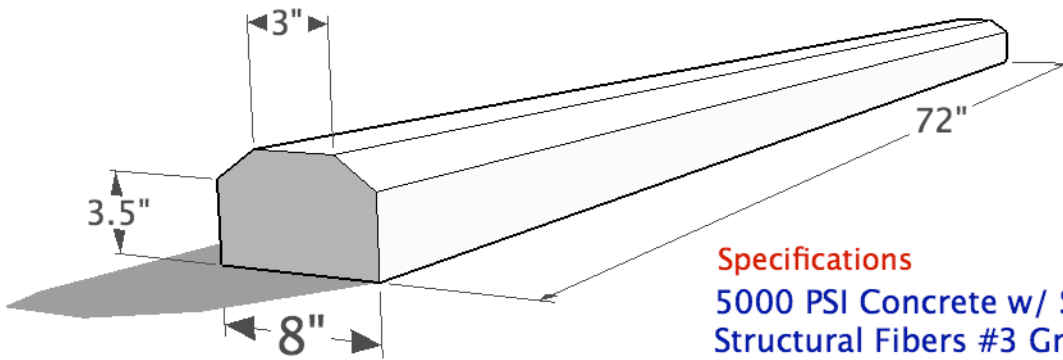


Manufactured By:
Blackwelder Tank Service Inc.
121 Staton Hill Rd.
Carthage NC 28327
phone 919-718-5181
fax 919-775-2229

Traffic Rated Parking Bumper



Specifications

5000 PSI Concrete w/ State approved
Structural Fibers #3 Grade 60 Rebar
2- 1/2" holes for Pins