

NOTES

1. ALL PIPING SHALL BE SCH. 40 PVC UNLESS OTHERWISE NOTED ON PLANS. ALL PVC PIPES SHALL BE BURIED A MINIMUM OF 3 FEET UNLESS SHOWN OTHERWISE.
2. SEPTIC TANKS SHALL BE CONSTRUCTED WITH A 1/2" TO 1" BATTLE WALL SHALL BE CONSTRUCTED TO PERMIT PASSAGE OF EFFLUENT THROUGH A SLOT OR HOLES LOCATED BETWEEN 45 AND 55 PERCENT OF THE INTERIOR DEPTH.
3. ALL TANKS SHALL HAVE A MINIMUM 28-DAY CONCRETE STRENGTH OF 4500 PSI.
4. TANKS SHALL MEET REINFORCING REQUIREMENTS TO ACCOMMODATE 500 POUNDS PER SQUARE FOOT APPROVED FIBER MAY BE USED.
5. ALL SERVICE ACCESS OPENINGS WILL BE A MINIMUM OF 24 INCHES EXCEPTIONS MAY BE MADE ON A CASE BY CASE BASIS WITH E-Z SET COMPANY'S PRIOR WRITTEN APPROVAL. ALL ACCESS OPENINGS SHALL BE SERVICE ACCESS OPENINGS FOR THE RECIRCULATION TANKS SHALL BE A 30-INCH OPENING AND FITTED ASSEMBLY TRAFFIC RATED TANKS SHALL HAVE CONCRETE RISERS.
6. ALL JOINTS (IND-SEAM, TOP-SEAM) SHALL BE SEALED MEETING ASTM C-990.
7. TANKS SHALL BE LEAK-TESTED PRIOR TO SYSTEM START UP BY APPLYING A VACUUM OF 5-INCHES OF MERCURY TO THE SYSTEM FOR 15 MINUTES. ALL TESTS SHALL BE APPROVED BY THE DESIGNER. ALL TESTS SHALL BE IN ACCORDANCE WITH ASTM STANDARDS.
8. NON-CONCRETE TANKS SHALL NOT BE USED IN CONJUNCTION WITH THE E-Z TREAT SYSTEM WITHOUT PRIOR WRITTEN APPROVAL BY E-Z SET.
9. ALL PIPE PENETRATIONS THROUGH PRECAST CONCRETE TANKS SHALL BE PRESS-SEAL, CAST-A-SEAL, 402 RUBBER BOOT SHALL BE USED.
10. THE FILTER POD INERT OUT SHALL BE A MINIMUM OF 6" ABOVE THE INERT IN OF THE RECIRCULATION TANKS. THE INERT IN OF THE RECIRCULATION TANKS SHALL BE 1/4-INCH PER FOOT SLOPE, WHICHEVER IS GREATER.
11. CONTRACTOR MAY USE LARGER TANKS.
12. MAXIMUM COVER OVER NON H-20 TANKS SHALL BE 50'.
13. E-Z TREAT SYSTEM SHALL MEET IS-II STANDARDS.
14. SYSTEM INFLUENT SAMPLE SHOULD BE TAKEN FROM INLET (BE IN SEPTIC TANK RISER).
15. SEE C-101 FOR ANY OTHER GENERAL NOTES.

NO.	DATE	DESCRIPTION

PROJECT MANAGER: PROJECT ENGINEER:
ZLF ZLF
DRAWN BY: CHECKED BY:
NLL GSM

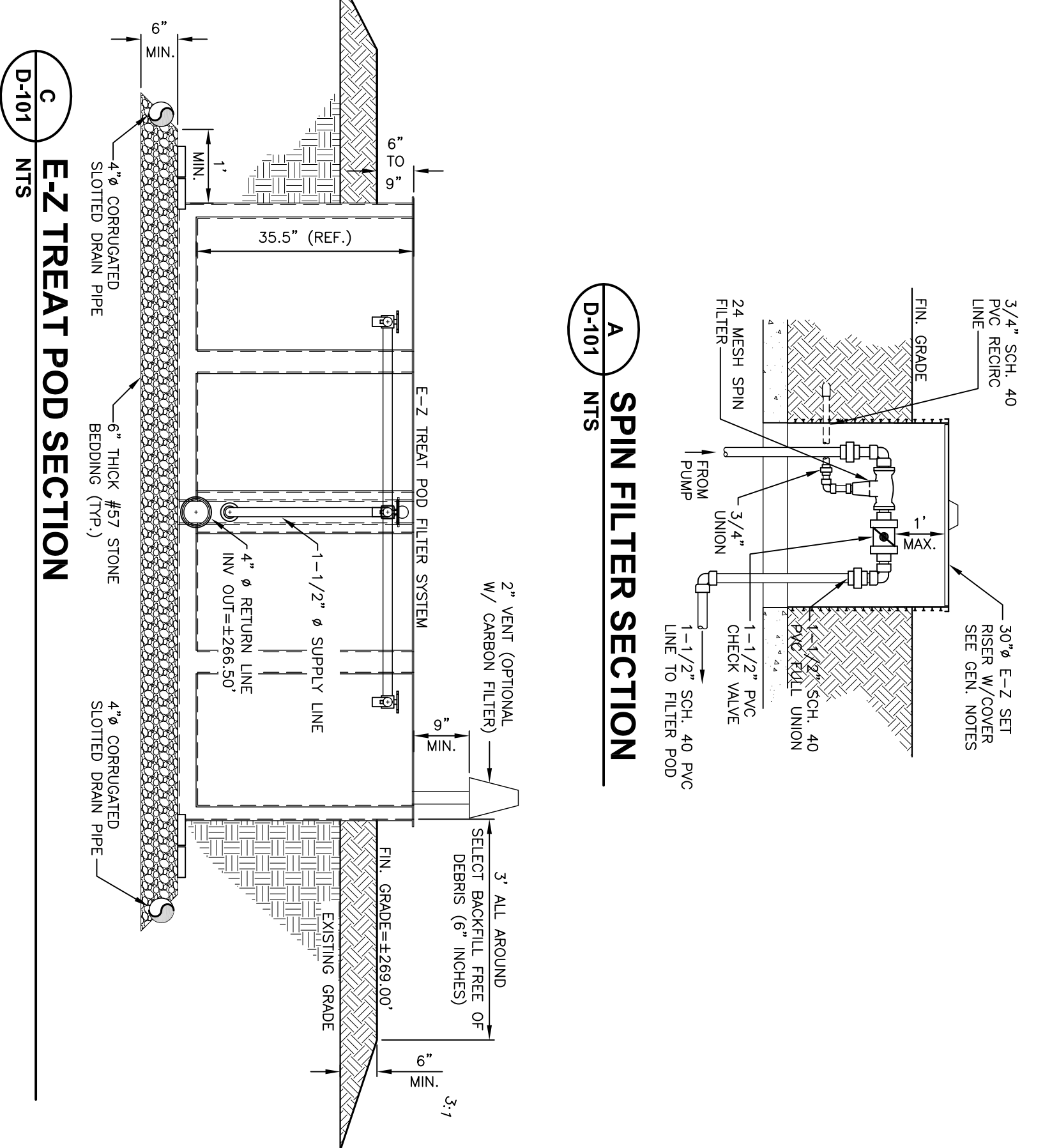
DATE: APRIL 28, 2008

MacCONNELL & Associates, P.C.
908 AVIATION PARKWAY, SUITE 1400
F. O. BOX 728
MORRISVILLE, NORTH CAROLINA 27560
TEL: (919) 897-1233 FAX: (919) 319-5570

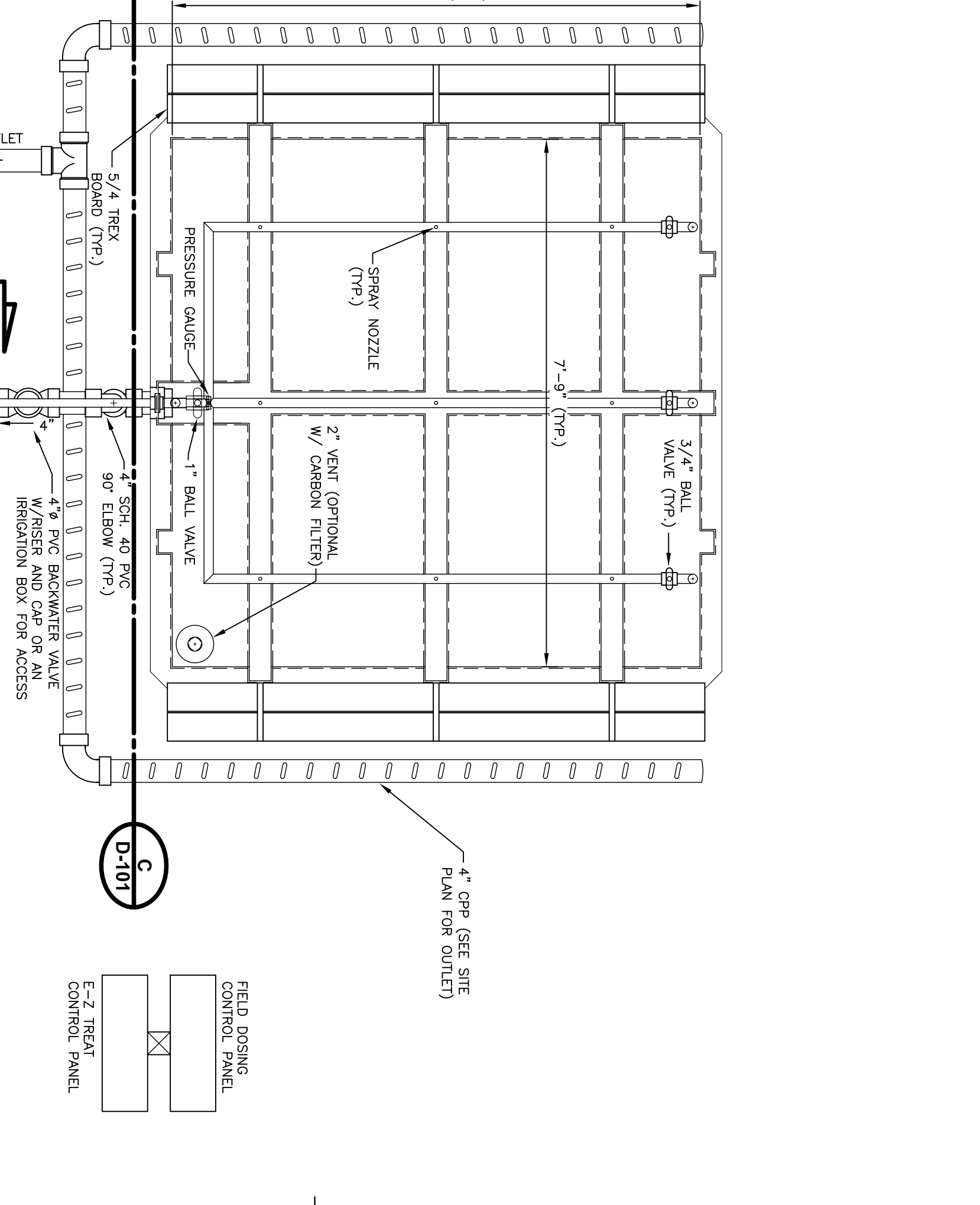
J.P.B. FAMILY LTD PARTNERSHIP
SINGLE FAMILY WASTEWATER SYSTEM
LOT 2
PERSON COUNTY, NC

DETAILS - 1 OF 3

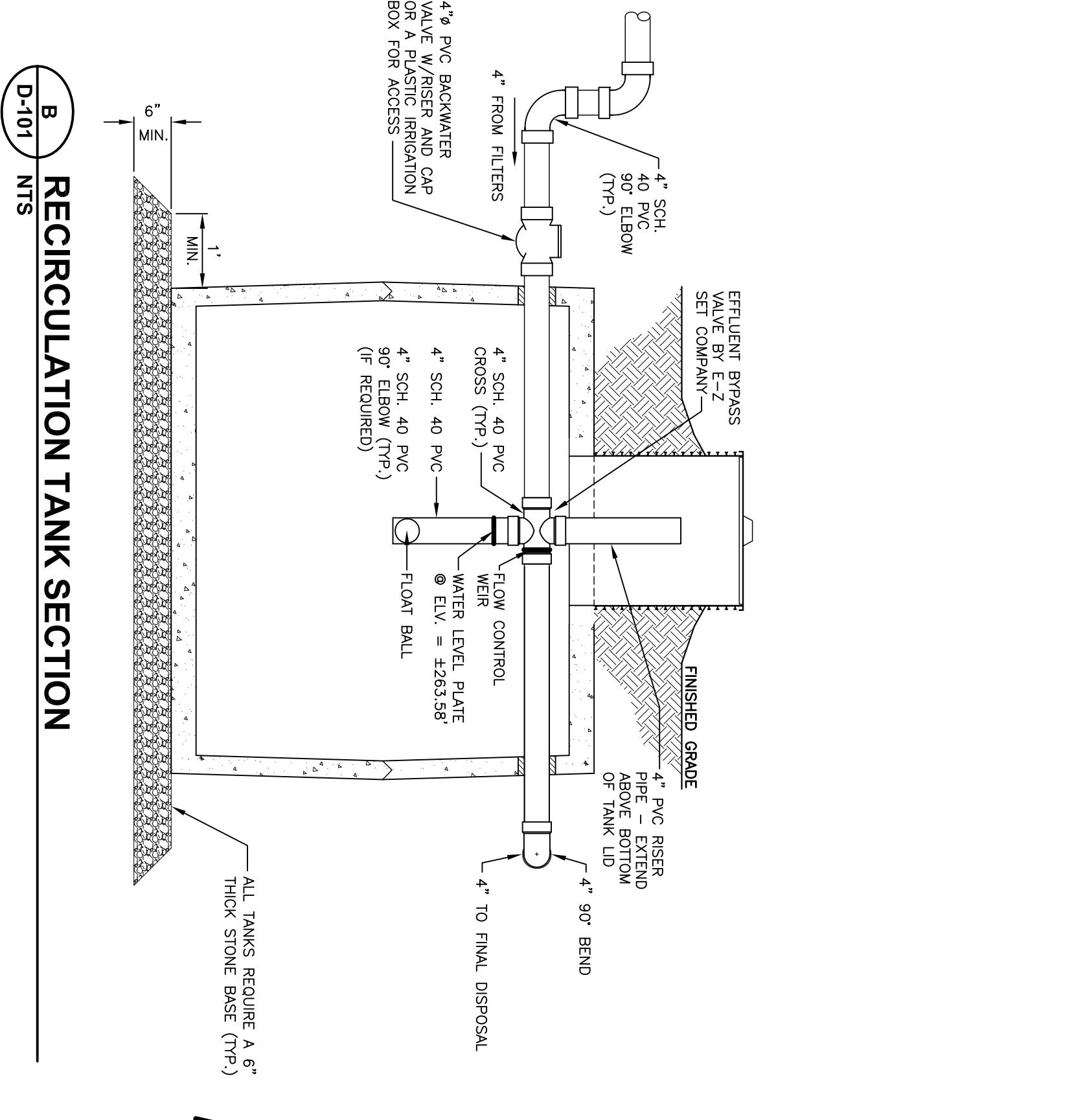
PROJECT NUMBER: **A37202.00**
DRAWING NUMBER: **D-101**



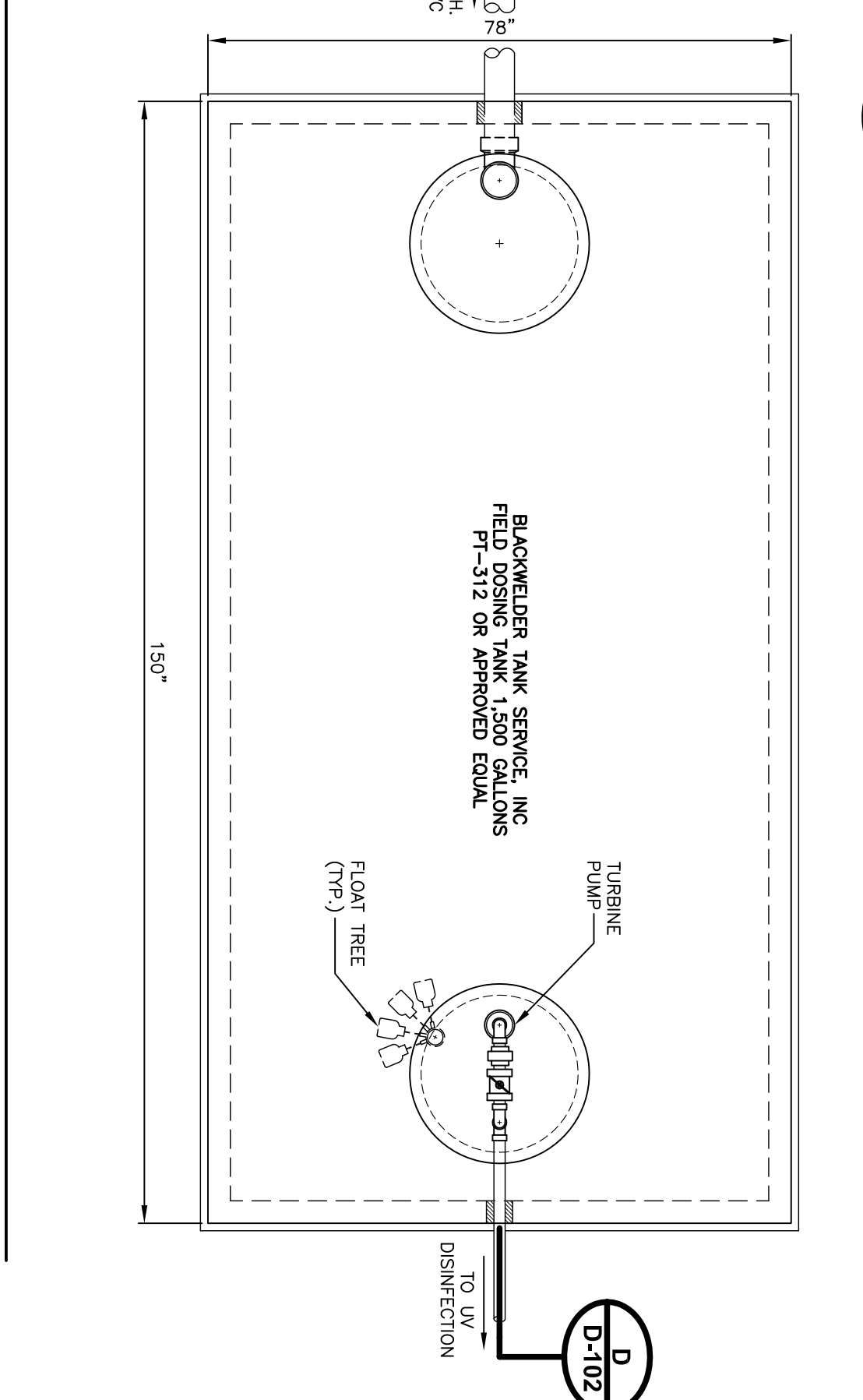
A SPIN FILTER SECTION
D-101 NTS



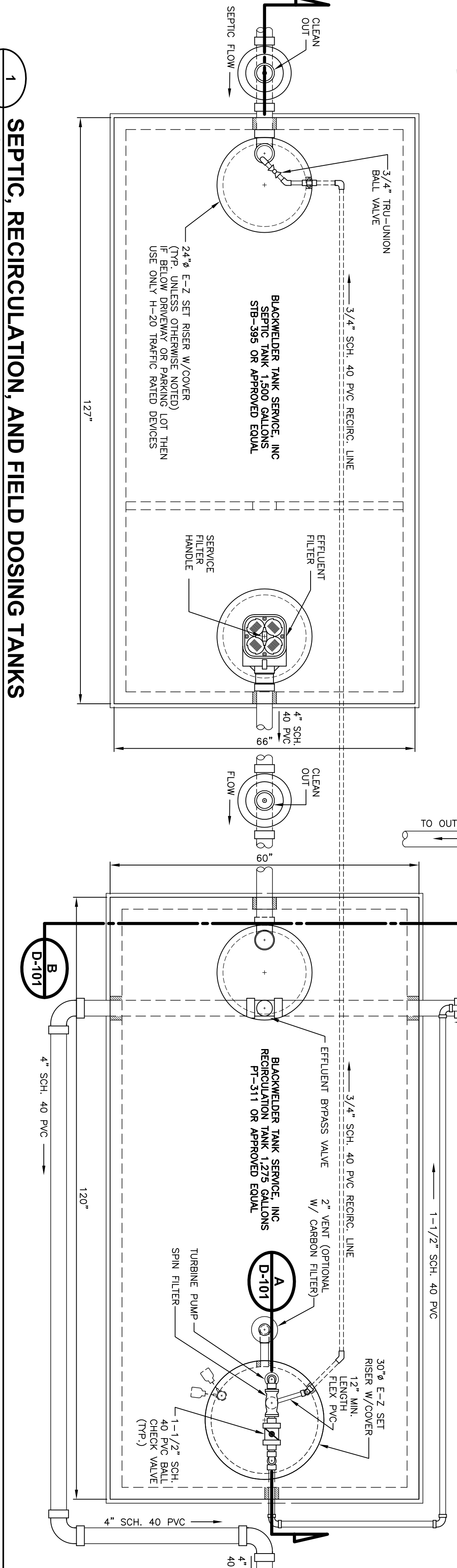
B RECIRCULATION TANK SECTION
D-101 NTS



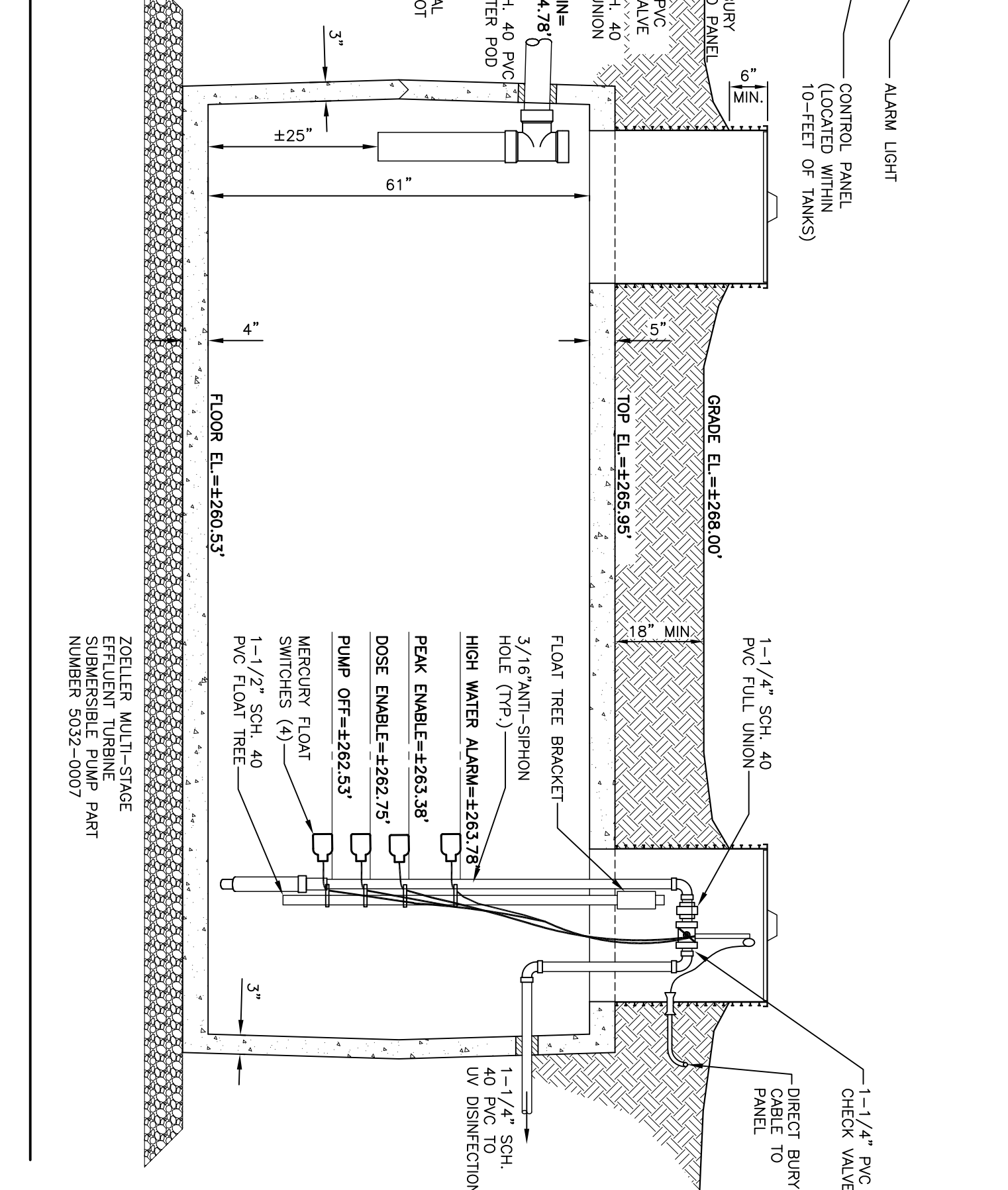
C E-Z TREAT POD SECTION
D-101 NTS



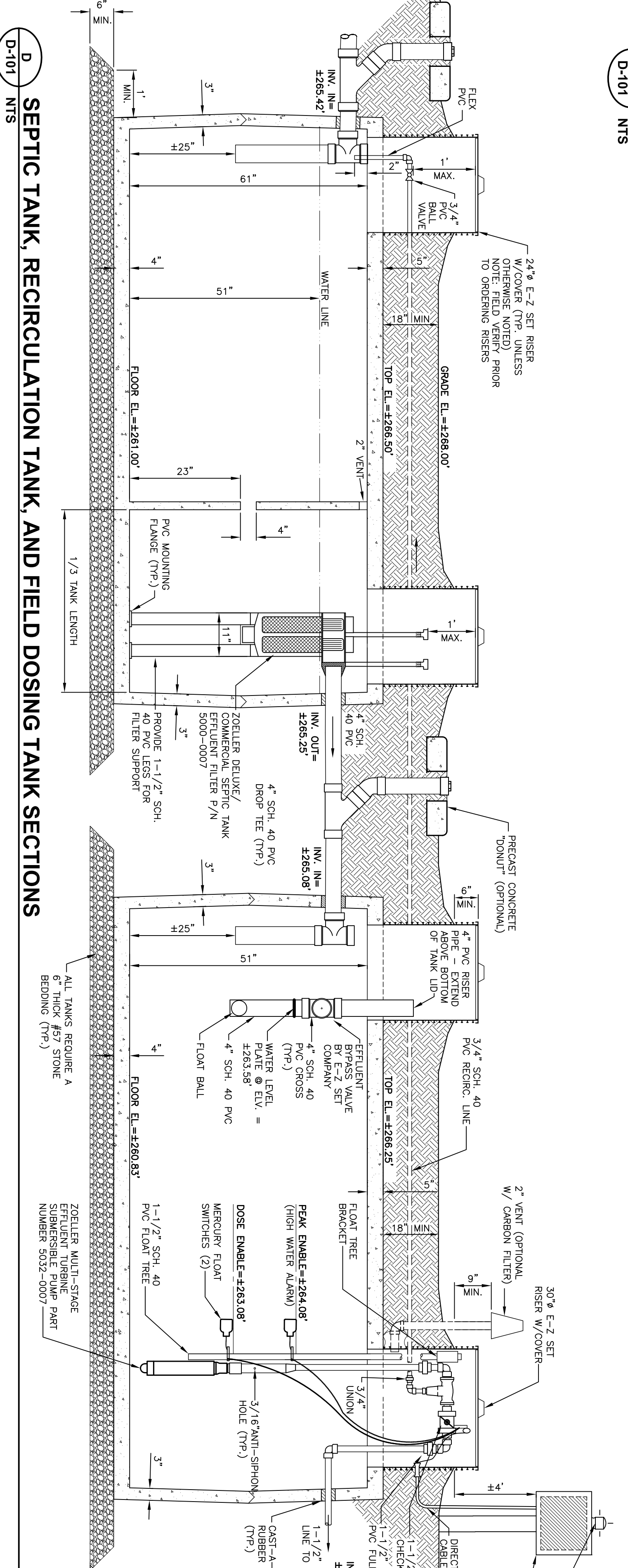
D FIELD DOSING TANK SECTION
D-101 NTS



1 SEPTIC, RECIRCULATION, AND FIELD DOSING TANKS
D-101 NTS



D SEPTIC TANK, RECIRCULATION TANK, AND FIELD DOSING TANK SECTIONS
D-101 NTS



B RECIRCULATION TANK SECTION
D-101 NTS